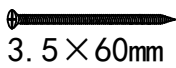
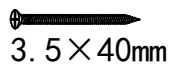
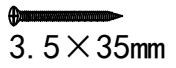
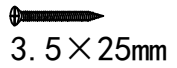


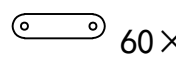
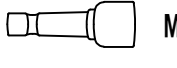
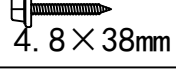
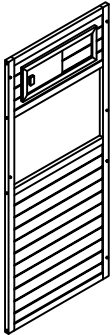
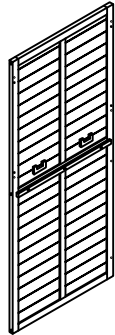


# ASSEMBLY INSTRUCTION

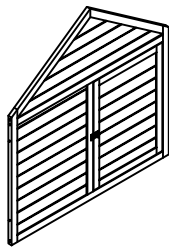
P1	 3.5×60mm	18pcs+1 spare	P2	 3.5×40mm	20pcs+1 spare
P3	 3.5×35mm	15pcs+1 spare	P4	 3.5×25mm	26pcs+1 spare
P5	 3×16mm	10pcs+1 spare	P6	 3×12mm	12pcs+1 spare
P7	 60×12mm	6pcs	P8	 M8	1pc
P9	 4.8×38mm	8pcs+1 spare			



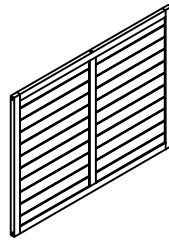
Ⓐ \*1



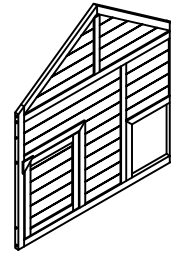
Ⓑ \*1



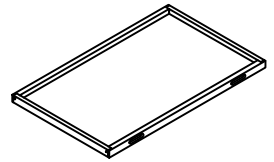
Ⓒ \*1



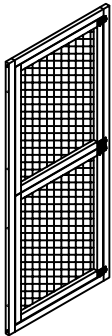
Ⓓ \*1



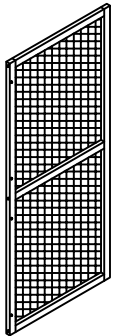
Ⓔ \*1



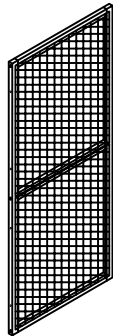
Ⓕ \*1



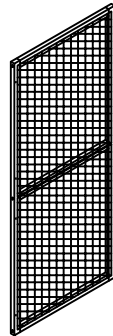
Ⓖ \*1



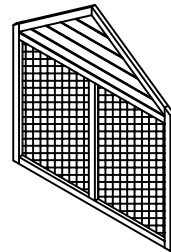
Ⓗ \*1



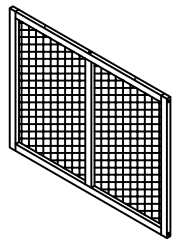
Ⓘ \*1



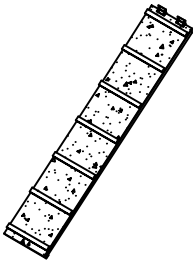
Ⓙ \*1



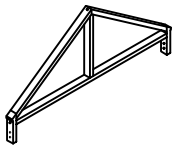
Ⓚ \*1



Ⓛ \*1



Ⓜ \*1



Ⓝ \*1



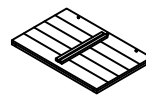
Ⓞ \*1



Ⓟ \*1



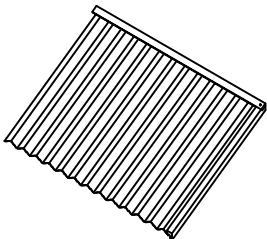
Ⓠ \*1



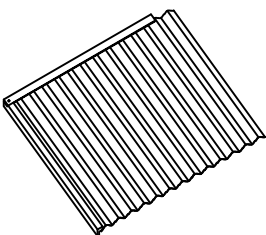
Ⓡ \*1



Ⓢ \*1



Ⓣ \*2



Ⓤ \*2



Ⓥ \*1



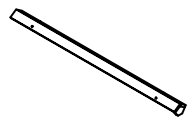
Ⓦ \*1



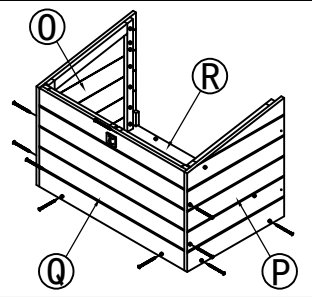
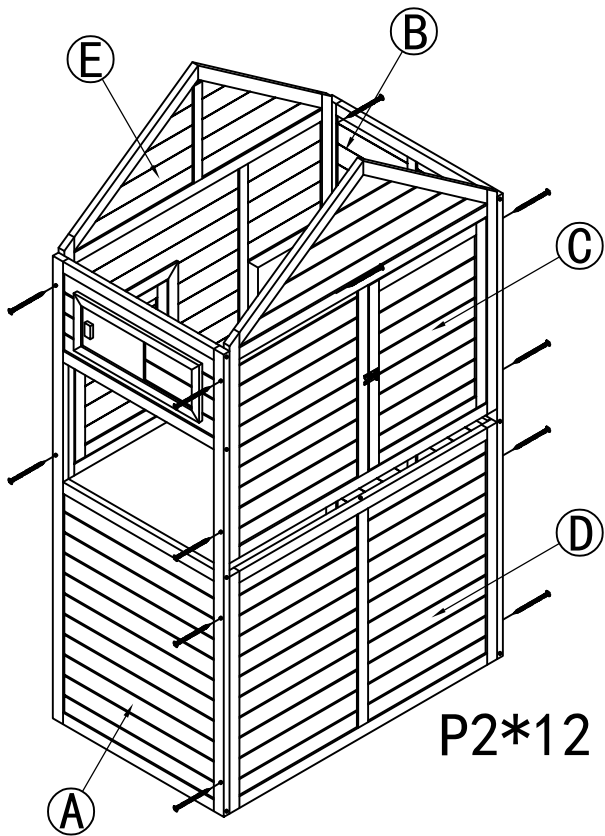
Ⓧ \*2



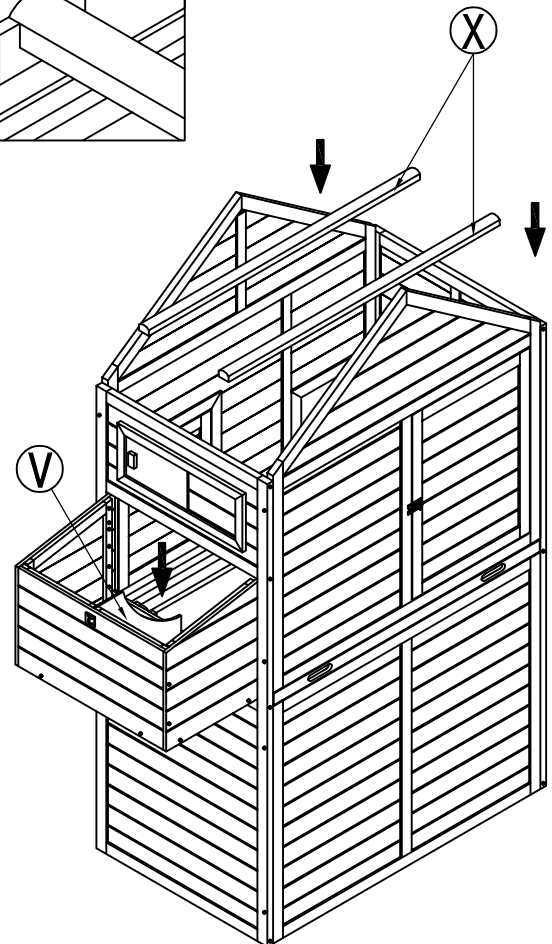
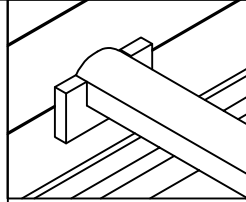
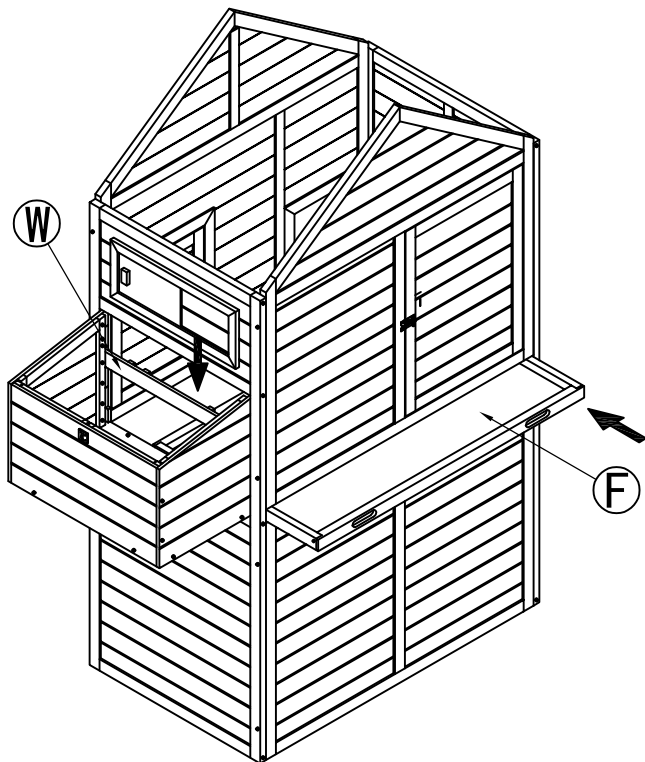
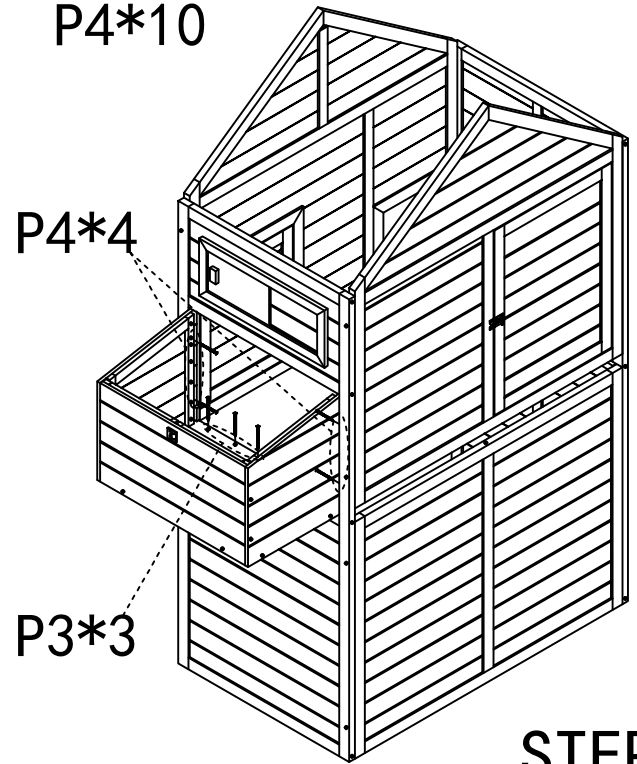
Ⓨ \*1

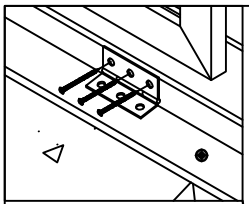


Ⓩ \*2

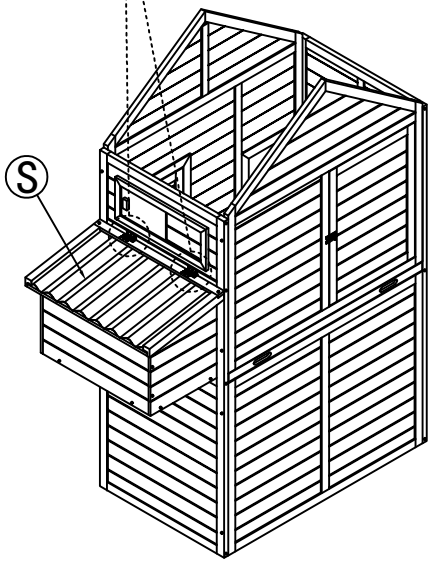


P4\*10

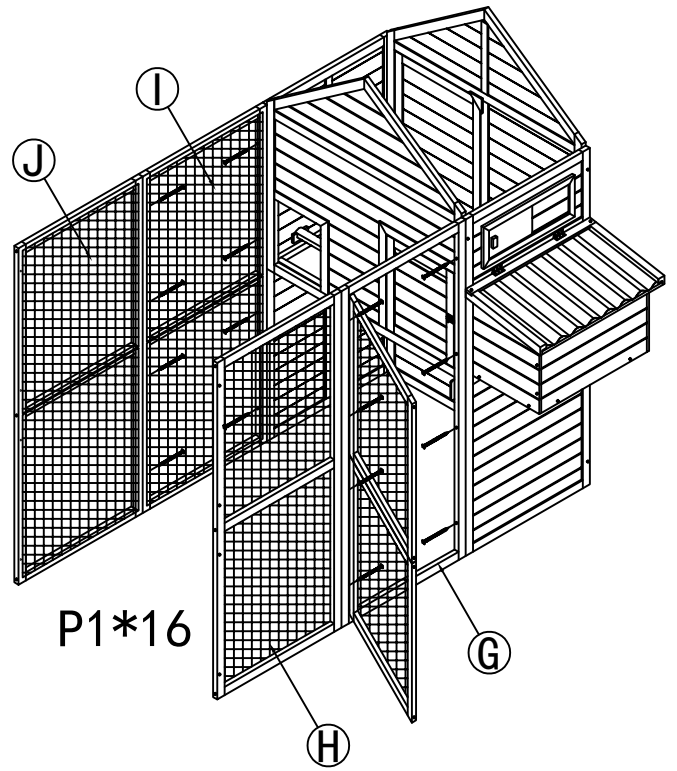




P5\*6

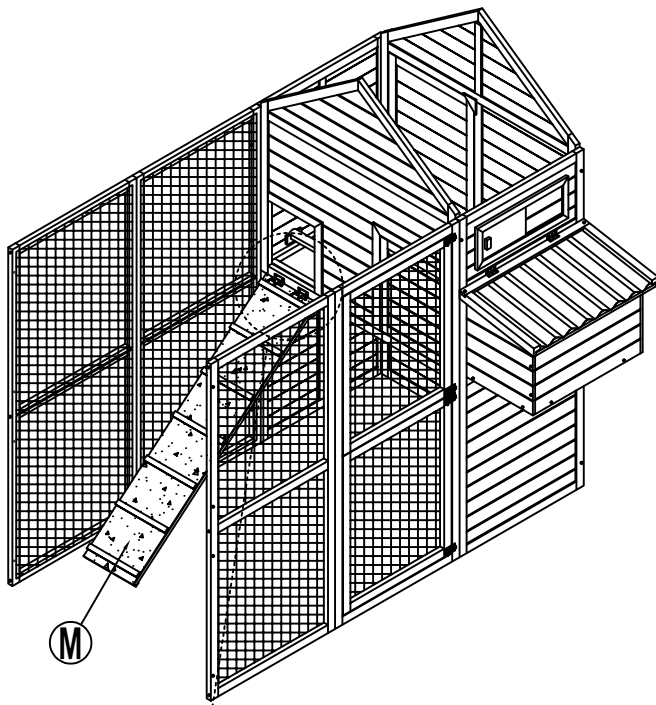


STEP5

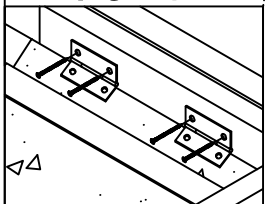


P1\*16

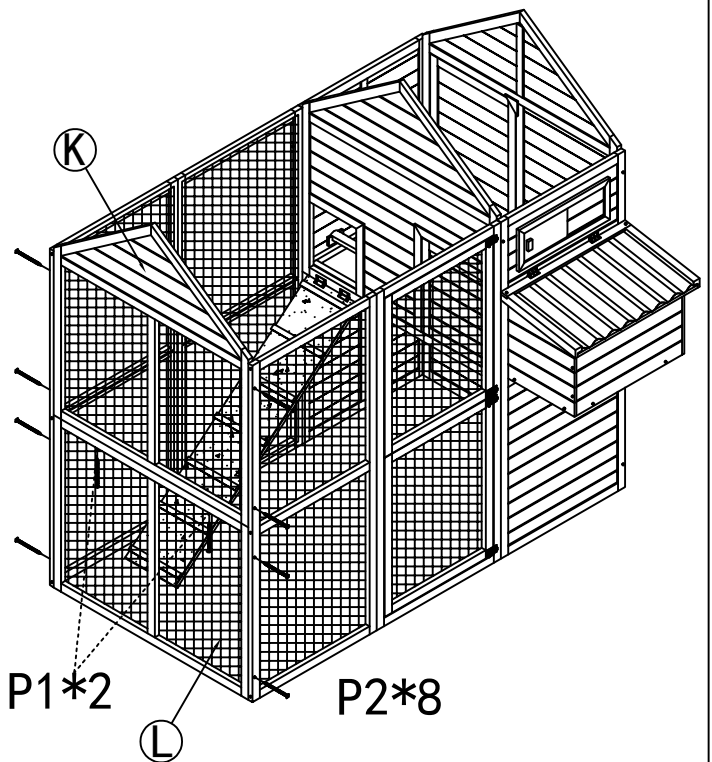
STEP6



P5\*4



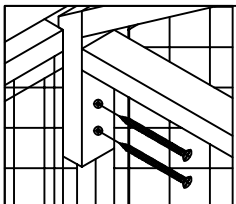
STEP7



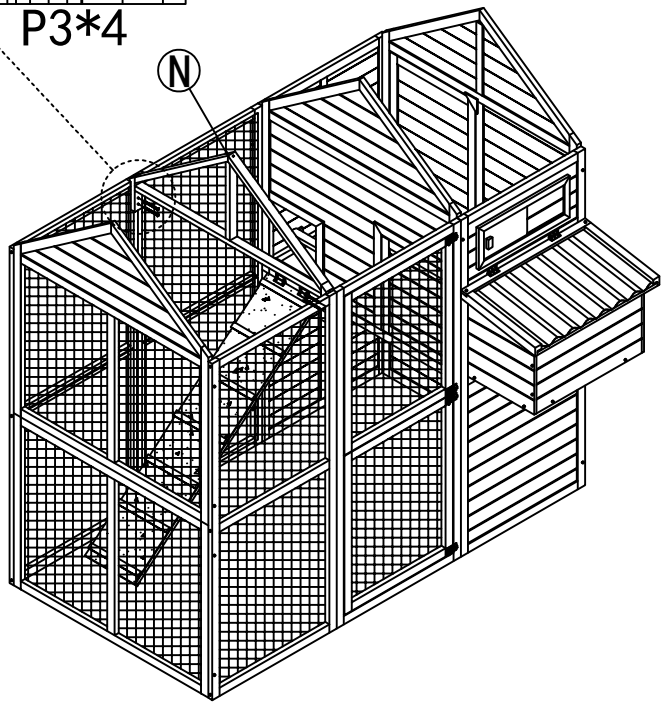
P1\*2

P2\*8

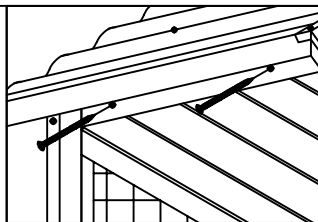
STEP8



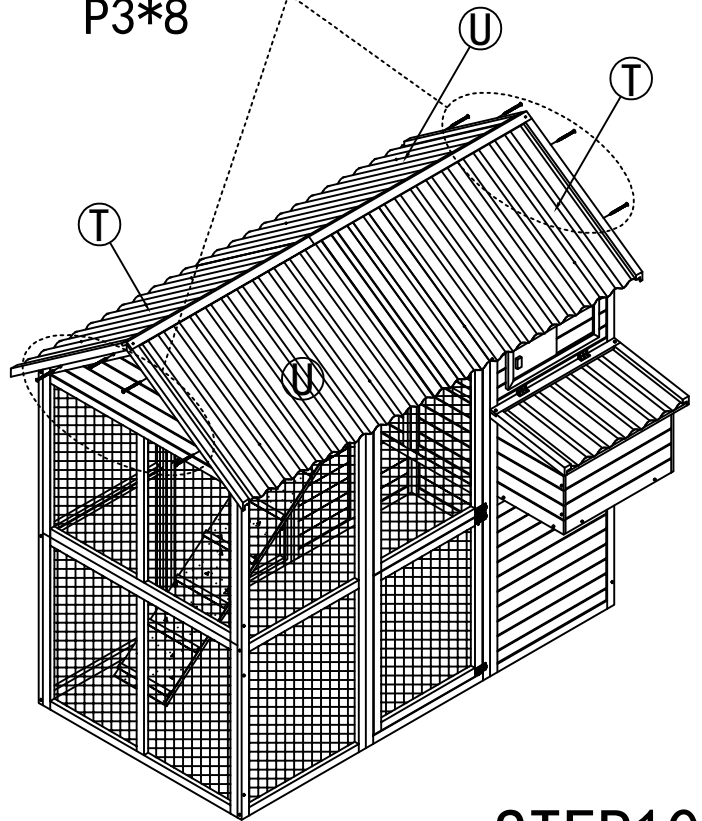
P3\*4



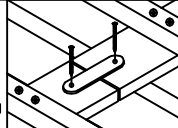
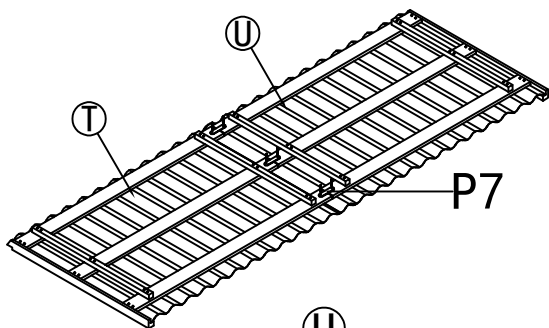
STEP9



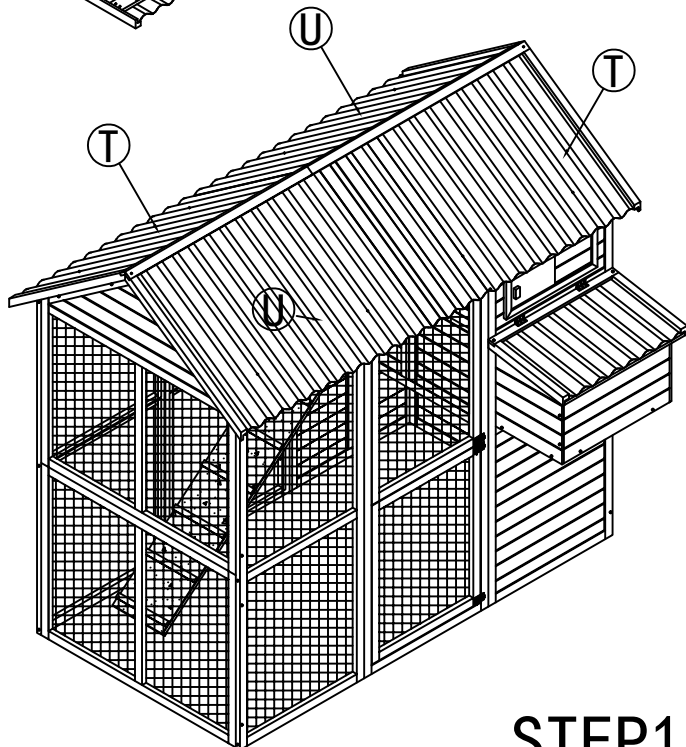
P3\*8



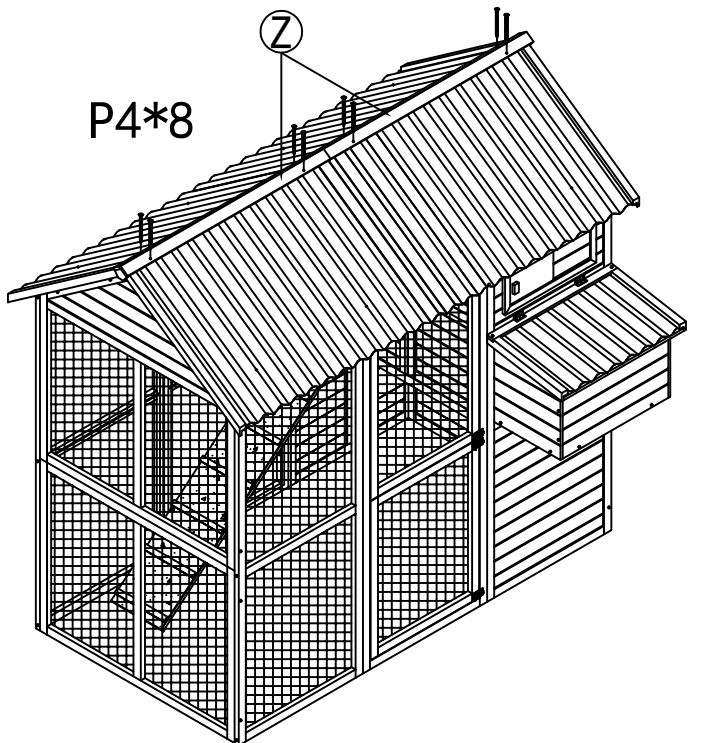
STEP10



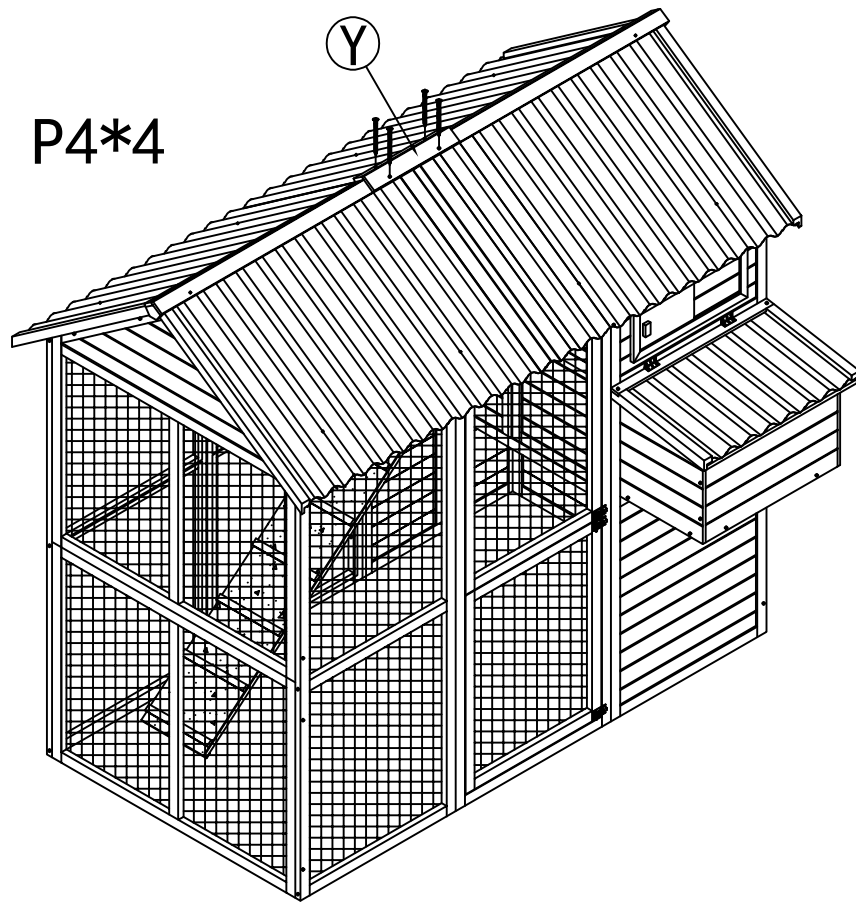
P6\*12



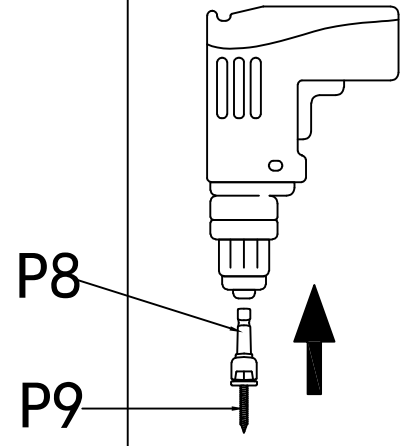
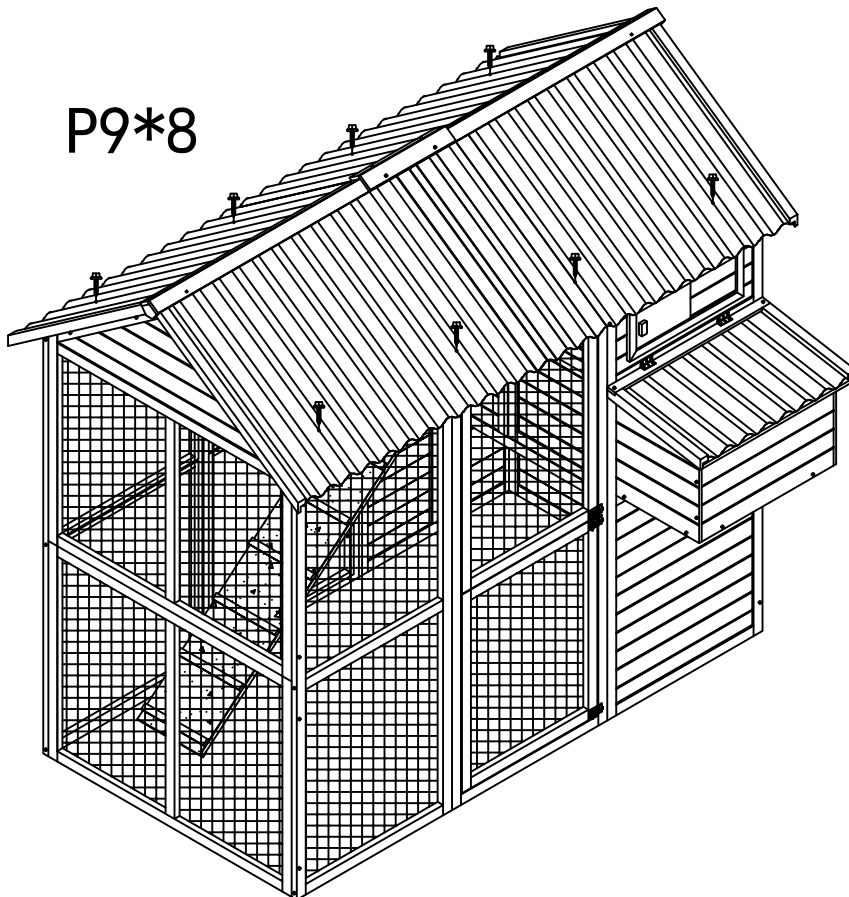
STEP11



STEP12



### STEP13



FINISH